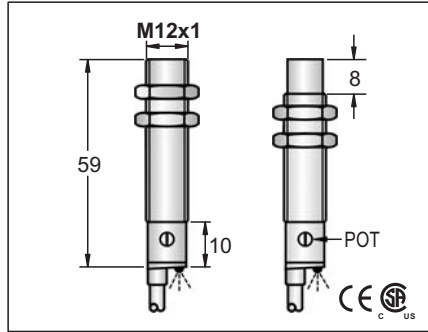


M12、M18、M30

DC CAPACITIVE PLASTIC HOUSING PROXIMITY SWITCH

M12	
●	○
1-4 mm adjustable	1-8 mm adjustable
PBT RESIN	
●	

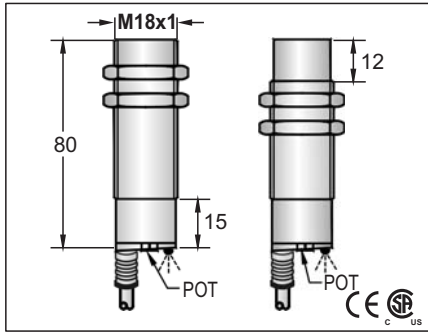


10-30VDC	
<10%	
<10mA	
200mA	
<0.01mA	
-	
-	
<2VDC	
100HZ	
1.5ms/1.5ms	
<15%(Sr)	
<5%(Sr)	
IP67	
-25°C — +70°C	
<10%(Sr)	
YES	
220mA	
<25ms	
RFI>3V/m / EFT>1KV / ESD>4KV (contact)	
IEC 60947-5-2,Part 7.4.1 / IEC 60947-5-2,Part 7.4.2	
POM	PBT

CCP1-1204N-A3U2	1	CCP2-1208N-A3U2
CCP1-1204N-B3U2	2	CCP2-1208N-B3U2
CCP1-1204P-A3U2	3	CCP2-1208P-A3U2
CCP1-1204P-B3U2	4	CCP2-1208P-B3U2

4 ϕ 3x0.15
approx.60g

M18	
●	○
2-8 mm adjustable	2-15 mm adjustable
PBT RESIN	
●	

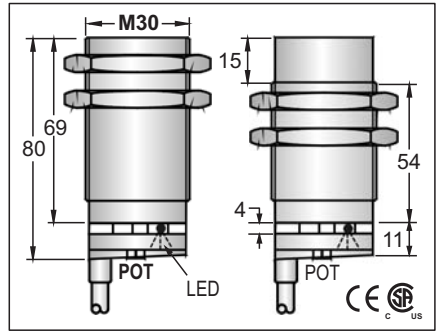


10-30VDC
<10%
<10mA
300mA
<0.01mA
-
-
<2VDC
100HZ
1.5ms/1.5ms
<15%(Sr)
<5%(Sr)
IP67
-25°C — +70°C
<10%(Sr)
YES
350mA
<25ms
RFI>3V/m / EFT>1KV / ESD>4KV (contact)
IEC 60947-5-2,Part 7.4.1 / IEC 60947-5-2,Part 7.4.2
PBT

CCP1-1808N-A3U2	1	CCP2-1815N-A3U2
CCP1-1808N-B3U2	2	CCP2-1815N-B3U2
CCP1-1808P-A3U2	3	CCP2-1815P-A3U2
CCP1-1808P-B3U2	4	CCP2-1815P-B3U2
CCP1-1808P-S4U2	6	CCP2-1815P-S4U2
CCP1-1808N-S4U2	5	CCP2-1815N-S4U2

5.0 ϕ 44x0.1	
approx.92g	approx.94g

M30	
●	○
2-20 mm adjustable	2-30 mm adjustable
PBT RESIN	
●	



10-30VDC
<10%
<10mA
300mA
<0.01mA
-
-
<2VDC
100HZ
1.5ms/1.5ms
<15%(Sr)
<5%(Sr)
IP67
-25°C — +70°C
<10%(Sr)
YES
350mA
<25ms
RFI>3V/m / EFT>1KV / ESD>4KV (contact)
IEC 60947-5-2,Part 7.4.1 / IEC 60947-5-2,Part 7.4.2
PBT

CCP1-3020N-A3U2	1	CCP2-3030N-A3U2
CCP1-3020N-B3U2	2	CCP2-3030N-B3U2
CCP1-3020P-A3U2	3	CCP2-3030P-A3U2
CCP1-3020P-B3U2	4	CCP2-3030P-B3U2
CCP1-3020P-S4U2	6	CCP2-3030P-S4U2
CCP1-3020N-S4U2	5	CCP2-3030N-S4U2

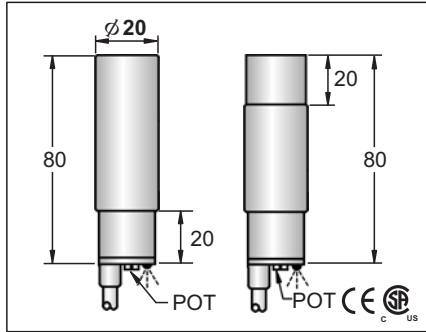
5.8 ϕ 3x0.5(5.8 ϕ 4x0.5)	
Approx.197g	approx.195g

Note:

Coming Soon : Part numbers with underline
 In Preparation: Part numbers with a line through the middle

DC CAPACITIVE PLASTIC HOUSING PROXIMITY SWITCH

φ20	
●	○
2-10 mm adjustable	2-20 mm adjustable
PBT RESIN	
●	

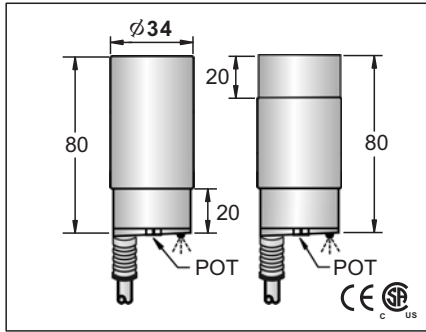


10-30VDC
<10%
<10mA
300mA
<0.01mA
-
-
<2VDC
100HZ
1.5ms/1.5ms
<15%(Sr)
<5%(Sr)
IP67
-25°C— +70°C
<10%(Sr)
YES
350mA
<25ms
RFI>3V/m / EFT>1KV / ESD>4KV (contact)
IEC 60947-5-2,Part 7.4.1 / IEC 60947-5-2,Part 7.4.2
POM

<u>CCP1-D2010N-A3U2</u>	1	<u>CCP2-D2020N-A3U2</u>
<u>CCP1-D2010N-B3U2</u>	2	<u>CCP2-D2020N-B3U2</u>
<u>CCP1-D2010P-A3U2</u>	3	<u>CCP2-D2020P-A3U2</u>
<u>CCP1-D2010P-B3U2</u>	4	<u>CCP2-D2020P-B3U2</u>
<u>CCP1-D2010P-S4U2</u>	6	<u>CCP2-D2020P-S4U2</u>
<u>CCP1-D2010N-S4U2</u>	5	<u>CCP2-D2020N-S4U2</u>

5.8φ3x0.5 or 5.8φ4x0.5	
approx.153g	approx.154g

φ34	
●	○
2-25 mm adjustable	2-35mm adjustable
PBT RESIN	
●	



10-30VDC
<10%
<10mA
300mA
<0.01mA
-
-
<2VDC
100HZ
1.5ms/1.5ms
<15%(Sr)
<5%(Sr)
IP67
-25°C— +70°C
<10%(Sr)
YES
350mA
<25ms
RFI>3V/m / EFT>1KV / ESD>4KV (contact)
IEC 60947-5-2,Part 7.4.1 / IEC 60947-5-2,Part 7.4.2
POM

<u>CCP1-D3425N-A3U2</u>	1	<u>CCP2-D3435N-A3U2</u>
<u>CCP1-D3425N-B3U2</u>	2	<u>CCP2-D3435N-B3U2</u>
<u>CCP1-D3425P-A3U2</u>	3	<u>CCP2-D3435P-A3U2</u>
<u>CCP1-D3425P-B3U2</u>	4	<u>CCP2-D3435P-B3U2</u>
<u>CCP1-D3425P-S4U2</u>	6	<u>CCP2-D3435P-S4U2</u>
<u>CCP1-D3425N-S4U2</u>	5	<u>CCP2-D3435N-S4U2</u>

5.8φ3x0.5 or 5.8φ4x0.5	
approx.248g	approx.251g

Note:
Coming Soon : Part numbers with underline